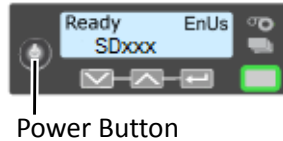


## SD Series Printer Repackaging for Shipment

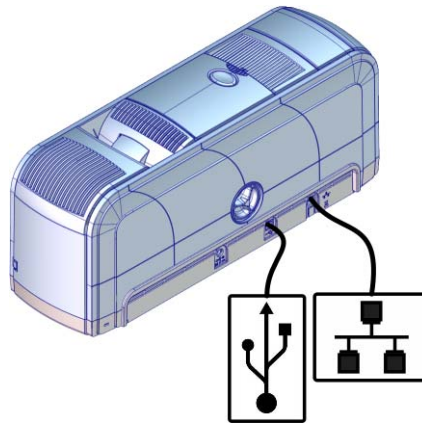
The following procedures are required for preparing the SD series printer unit for shipment.

1. Press the power button to power off the printer.

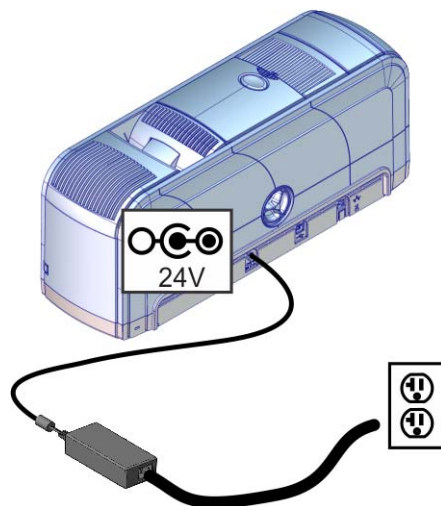


The front panel on the printer powers off.

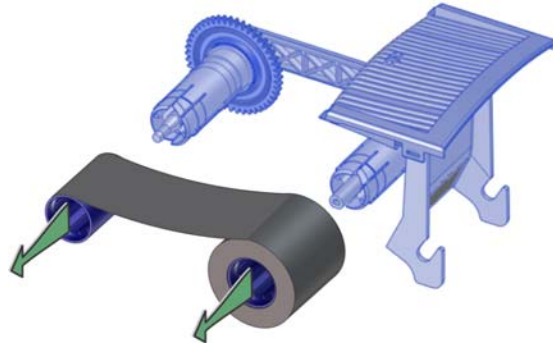
2. Disconnect the network or USB cable (the cable is not required for shipment).



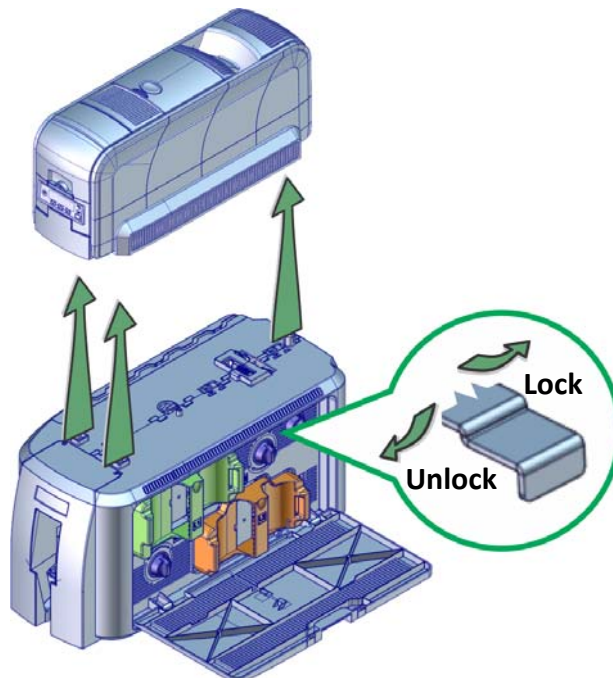
3. Unplug the power cord from the printer.



4. Remove the printer supplies.
  - a. Push down and open the printer swing arm.
  - b. Remove the supply cartridge from the printer.
  - c. Unload the print ribbon from the supply cartridge.

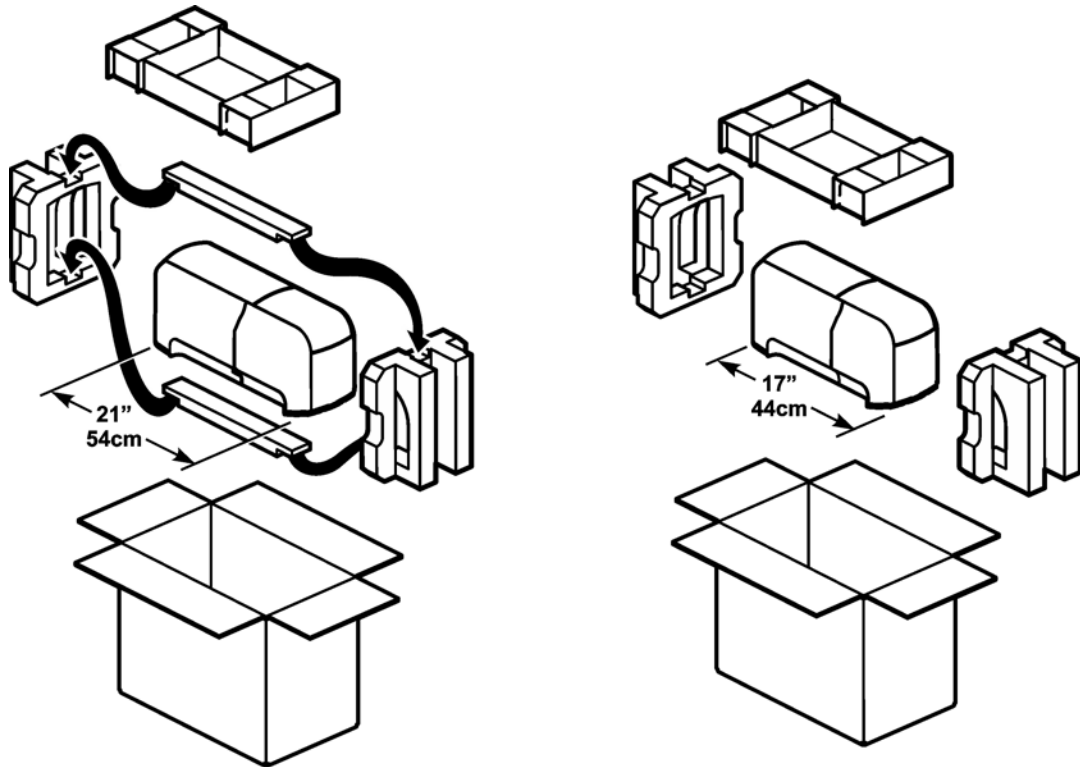


- d. Replace the supply cartridge in the printer and close the swing arm.
5. Remove the printer from the laminator (SD460 units only).
  - a. Open the laminator access door and slide the printer locking lever in the laminator to the left position (unlocked).
  - b. Disconnect the data cable from the laminator to the printer.
  - c. Lift the printer off of the laminator and place the printer in a stable position.
  - d. Close the laminator.



6. Pack and secure the printer.

- a. Place the foam caps on the front and back of the printer and set it in the shipping carton. SD260L, SD360 and SD460 units have two additional foam pieces that are placed above and below the printer for shipping.



- b. Secure the shipping carton with shipping tape.